

T31P Business IP Phone



Entry-level IP Phone with 2 Lines & HD voice

As a very fashionable and friendly entry-level IP phone, Yealink SIP-T31P has an extra-large 132x64-pixel graphical LCD with backlight that brings clear visual experience for users. The T31P offers support for two VoIP accounts and includes local 5-way conferencing to maximize productivity. Working with the adjustable multi-angle stand, the T31P IP phone ensures you to work in different situation. Meanwhile, the T31P features built-in Power over Ethernet (PoE) and superb high definition (HD) sound quality. Easy-to-use and powerful features together with reasonable price deliver excellent voice communications solution.

Series Specifications Comparison

Model	Screen	Handset	Network	PoE	Power Adapter
T31P	2.3"	HD	10/100m	✓	✓

Feature Highlights

- ✓ 2.3" 132x64-pixel graphical LCD with back-light
- ✓ Stand with 2 adjustable angles
- ✓ Support EHS Wireless Headset
- ✓ Up to 2 SIP accounts
- ✓ Local 5-way conferencing
- ✓ Wall mountable
- ✓ Handset with hall switch

Audio Features

- HD voice: HD handset, HD speaker
- Smart Noise Filtering
- Narrowband codec: PCMU (G.711A), PCMA (G.711μ), G.723.1, G.729, G.729A, G.729B, G.729AB, G.726, iLBC
- DTMF: In-band, Out-of-band (RFC 2833) and SIP INFO
- Full-duplex hands-free speakerphone with AEC
- VAD, CNG, AEC, PLC, AJB, AGC

Phone Features

- 2 VoIP accounts
- Call hold, mute, DND
- One-touch speed dial, hotline
- Call forward, call waiting, call transfer
- Group listening, SMS, emergency call
- Redial, call return, auto answer
- Local 5-way conferencing
- Direct IP call without SIP proxy
- Ring tone selection/import/delete
- Set date time manually or automatically
- Dial plan
- XML Browser, action URL/URI
- Integrated screenshots
- RTCP-XR, VQ-RTCPXR
- Enhanced DSS Key

Directory

- Local phonebook up to 1000 entries
- Black list
- XML/LDAP remote phonebook
- Smart dialing
- Phonebook search/import/export
- Call history: dialed/received/missed/forwarded

IP-PBX Features

- Busy Lamp Field (BLF), Bridged Line Appearance (BLA)
- Anonymous call, anonymous call rejection
- Hot-desking, voice mail
- Flexible seating
- Call park, call pickup
- Executive and Assistant
- Centralized call recording
- Visual voice mail
- Call recording

Display and Indicator

- 2.3" 132x64-pixel graphical LCD with backlight
- LED for call and message waiting indication
- Dual-color (red or green) illuminated LEDs for line status information
- Intuitive user interface with icons and soft keys
- Multilingual user interface
- Caller ID with name and number
- Power saving

Feature keys

- 2 line keys with LED
- 6 feature keys: transfer, message, headset, redial, mute, hands-free speakerphone
- 5 navigation keys
- Volume control keys

Interface

- 2 x RJ45 10/100M Ethernet ports
- Power over Ethernet (IEEE 802.3af), class 1*
- 1 x RJ9 (4P4C) handset port
- 1 x RJ9 (4P4C) headset port

Other Physical Features

- Color: Classic Grey
- Wall mountable
- External Yealink AC adapter
AC 100-240 V input and DC 5 V/0.6 A output
- Power consumption (PSU): 2-3 W
- Power consumption (PoE): 3-4 W
- Dimension (W x D x H x T):
188 x 189 x 162 x 50 mm
- Operating humidity: 10-95%
- Operating temperature: -10 to +45°C (+14 to 113°F)
- Storage temperature: -30 to +70°C (-22 to +158°F)

Management

- Configuration: browser/phone/auto-provision
- Auto provision via FTP/TFTP/HTTP/HTTPS for mass deploy
- Auto-provision with PnP
- Zero-sp-touch, TR-069
- Phone lock for personal privacy protection
- Reset to factory, reboot
- Package tracing export, system log

Get in touch with us

If you would like to discuss Virtual Landline Office or get a quote, please give us a call on +44 (0) 203 488 0088

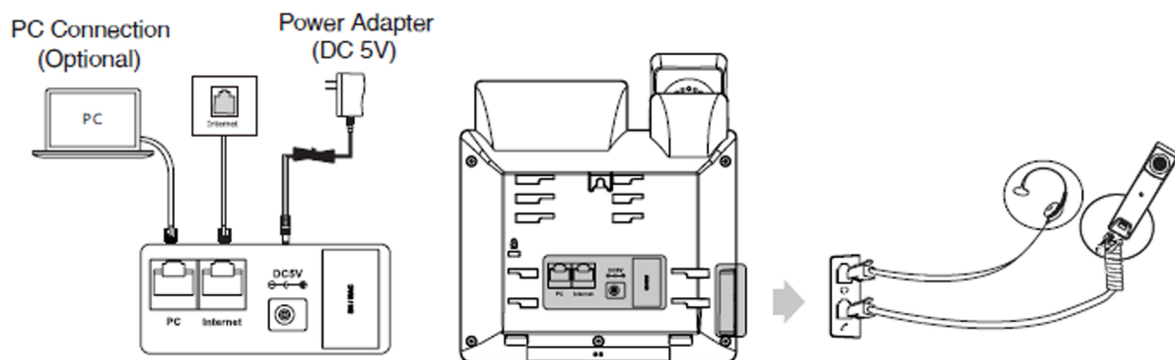
Network and Security

- SIP v1 (RFC2543), v2 (RFC3261)
- Call server redundancy supported
- NAT traversal: STUN mode
- Proxy mode and peer-to-peer SIP link mode
- IP assignment: static/DHCP
- HTTP/HTTPS web server
- Time and date synchronization using SNTP
- UDP/TCP/DNS-SRV (RFC 3263)
- QoS: 802.1p/Q tagging (VLAN), Layer 3 ToS DSCP
- SRTP for voice
- Transport Layer Security (TLS 1.3)
- HTTPS certificate manager
- AES encryption for configuration file (AES256)
- Digest authentication
- OpenVPN, IEEE802.1X, L2TP VPN
- IPv6
- LLDP/CDP/DHCP VLAN
- ICE
- WPA2/WPA3
- Secure boot
- GARP (Generic Attribute Registration Protocol)

Package Features

- Package content:
 - Yealink SIP-T31P IP phone
 - Handset with handset cord
 - Ethernet Cable (1.5m CAT5E UTP Cable)
 - Stand (not applicable to US wall plate Standard)
 - Quick Start Guide
 - Power Adapter (Optional)
- Qty/CTN: 10 PCS
- N.W/CTN: 9.79 kg
- G.W/CTN: 10.83 kg
- Giftbox size: 213 × 210 × 103 mm
- Carton Meas: 535 × 443 × 227 mm
- * Applies to the phone with a V2 logo or later on the label

Compliance



Get in touch with us

If you would like to discuss Virtual Landline Office or get a quote, please give us a call on +44 (0) 203 488 0088

virtuallandline
office